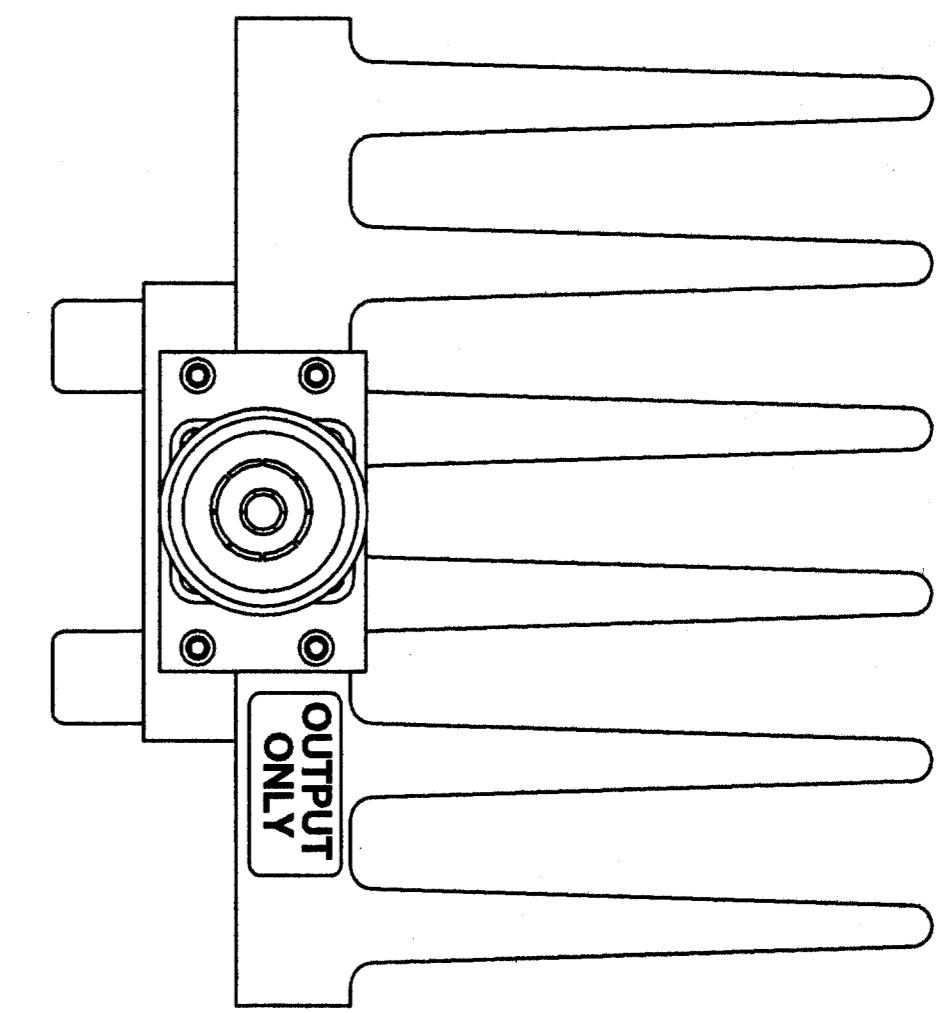
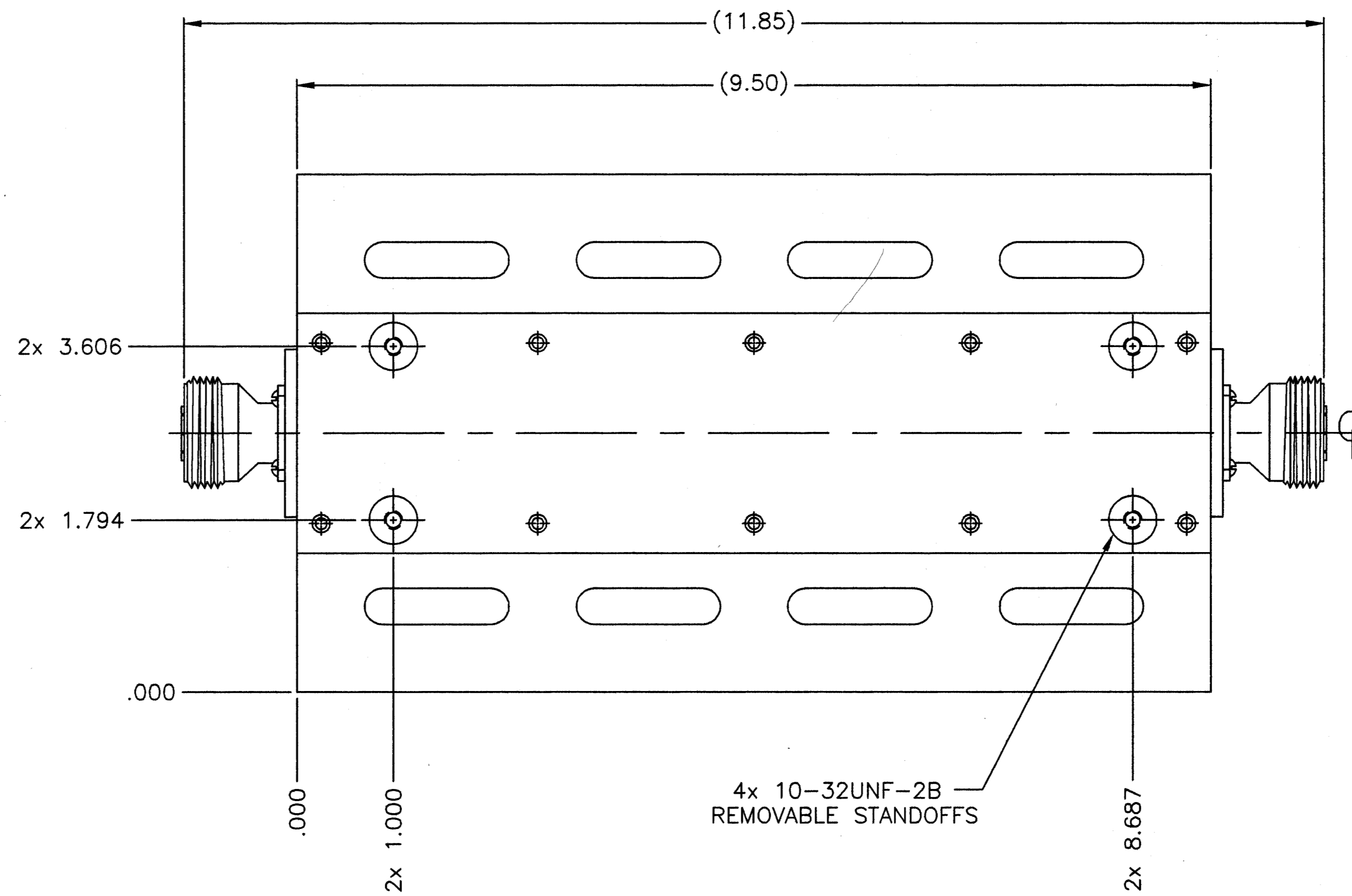
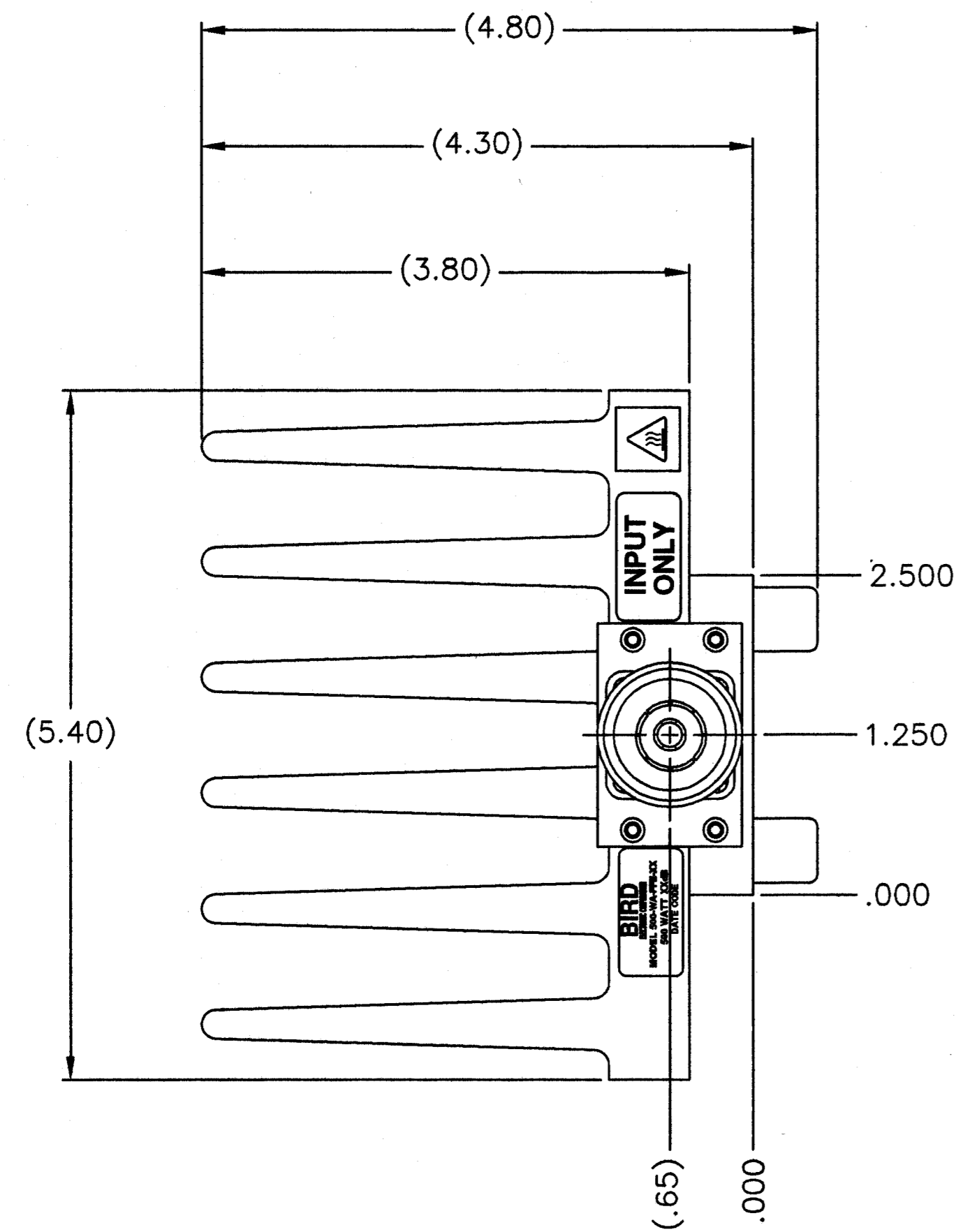


REVISIONS				
ZONE	REV	DESCRIPTION	DATE	APPROVED
A	ECN #0203		10-19-98	MBV
B	ECN #0256		3-21-00	MBV

SPECIFICATIONS:  
 IMPEDANCE: 50 OHMS NOMINAL  
 FREQUENCY RANGE: DC TO 2.5GHz  
 VSWR: DC TO 1GHz AT 1.10:1 MAX.  
 1GHz TO 2.5 GHz AT 1.25:1 MAX.  
 POWER RATING: 500 WATTS AVG. (UNI-DIRECTIONAL) AT 25°C AMBIENT  
 DERATED LINEARLY TO 50 WATTS AT 125°C.  
 COOLING FIN: ALUMINUM, BLACK ANODIZED  
 COVER: ALUMINUM, BLACK ANODIZED  
 CONNECTORS: IEC 7/16 FEMALE, TRI-ALLOY PLATED  
 OPERATING POSITION: ANY POSITION EXCEPT MOUNTING SURFACE UP  
 NOMINAL SIZE: APPROX. 11.85" L X 5.40" W X 4.80" H  
 WEIGHT: APPROX. 7.9 LBS



XX = DASH NUMBER (dB VALUE)

-30	30	±0.8 dB	±1.3 dB
-20	20	±0.5 dB	±1.0 dB
-10	10	±0.4 dB	±0.8 dB
-06	6	±0.4 dB	±0.6 dB
-03	3	±0.3 dB	±0.5 dB
DASH NO.	dB ATTN.	ATTENUATOR ACCURACY ±dB	
		DC - 1GHz	1 - 2.5GHz

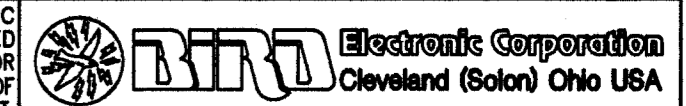
NOTE:  
 FOR VALUES NOT LISTED, REFER TO THE NEXT HIGHER ATTENUATION LEVEL FOR SPECIFICATIONS. FOR ATTENUATION VALUES GREATER THAN THE HIGHEST LISTED ATTENUATION VALUE, REFER TO THE VALUE 1/2 THE DESIRED ATTENUATION LEVEL, THEN DOUBLE THE LISTED SPECIFICATION VALUES, UNLESS OTHERWISE SPECIFIED.

DIMENSIONS HEREON ARE FOR CUSTOMER CONVENIENCE AND REFERENCE ONLY. TOLERANCE TO BE APPLIED ONLY WHERE INDIVIDUALLY STATED ON THE RESPECTIVE DIMENSION. -DO NOT SCALE DRAWING-

UNLESS OTHERWISE SPECIFIED  
 DIMENSIONS ARE IN INCHES  
 TOLERANCES ARE  
 FRACTIONS DECIMALS ANGLES  
 ±1/64 .005 ±0.010 ±30'  
 .0005 ±.005  
 DO NOT SCALE DRAWING

MILLIMETERS  
 .X = ±.4  
 .XX = ±.12

THIS DRAWING IS THE PROPERTY OF THE BIRD ELECTRONIC CORPORATION. THE DESIGNS AND SPECIFICATIONS DISCLOSED HEREON ARE PROPRIETARY AND SHALL NOT BE REPRODUCED, NOR COPIED, NOR USED AS THE BASIS FOR THE MANUFACTURE OR SALE OF APPARATUS OR DEVICES WITHOUT THEIR EXPRESS WRITTEN CONSENT.



APPROVALS		DATE	TITLE
DRAWN	D.M.RINK	11-8-02	ATTENUATOR, CONVECTION COOLED
CHECKED			IEC 7/16 FEMALE, 500W
APPROVED	MBV	2-7-03	
MATERIAL			
FINISH			
SIZE	D	70998	DWG. NO. 500-WA-FFE-XX
SCALE	1:1	COM. CODE AT1	SHEET 1 OF 1